



Search dmpalarms



System control — virtually anywhere

The ePAD™ 5.0 Mobile Keypad enables users to control and monitor their personal security systems from any browser via Smartphone, tablet, or computer.

- Revolutionary technology operates like a standard DMP LCD keypad
- Control DMP panel
- Convenient mobile access to security system
- Secure interface enables users to
 - check home entrance and egress activities
 - monitor events
 - supervise employees

Users have peace of mind knowing they can control their alarm system from virtually anywhere in the world!

ePAD™ 5.0 MOBILE KEYPAD

SYSTEM FEATURES

- HTML 5.0
- Control DMP system from virtually anywhere
- No additional software required
- Compatible with all web browsers
- Operates like DMP 32-character LCD keypad
- User-friendly interface
- Pass code protection
- Easily supports assigned domain names
- Programmable using standard keypad or web browser
- Programmable weblinks to add in other systems like IP cameras or Wifi Thermostats
- Easily installs using 3-hole pattern standoffs or universal edge mounting
- Accessible by only one user at a time to avoid conflicting commands
- Session timeout occurs after period of inactivity
- On-line user guide available for any DMP panel
- No web server or additional PC required
- No recurring monthly costs



Digital Monitoring Products

ePad™ Virtual Keypad

WEB BROWSER

Users can use their existing Internet browser to connect to and operate the ePAD™ by simply entering the ePAD programmable IP address.

SECURE LOG ON

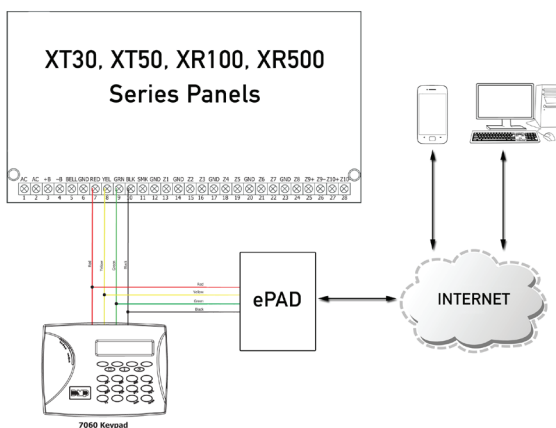
To ensure that unauthorized persons cannot hack into their security system, users can opt to use a password to log on to the ePAD. Additionally, only one user at a time is allowed to operate the ePAD, enhancing security and eliminating conflicting messages to the panel.

AUTOMATIC LOG OFF

The ePAD allows you to customize an automatic timeout after a period of inactivity. For example, if the user steps away from the computer for a short time, the ePAD will shut down so unauthorized persons cannot access the security system. As a result, the user does not need to log off from the ePAD; simply closing the browser logs the user off.

SIMPLE INSTALLATION

The ePAD is easily mounted in a Model 349 or 350 panel enclosure using the standard 3-hole pattern. When mounting in any other panel enclosure, the ePAD universal edge-mount design allows easy and rigid mounting by sliding onto the edge of the enclosure sidewall.



SPECIFICATIONS

Primary Power 9 - 14 VDC
Current Draw 80mA
Dimensions .75" x 3" x 5.5"

FLEXIBLE PROGRAMMING CHOICES

You may program the ePAD using a DMP 32-character LCD keypad or a web browser. Programming is a simple step-by-step process, similar to programming DMP panels.

WORKS LIKE A STANDARD KEYPAD

This fully functional virtual keypad uses the same prompts as a standard DMP LCD keypad; essentially users already know how to use the ePAD! Users simply point-and-click, just like pressing the keys on a standard keypad. Users can also operate the ePAD by pressing the keys on the keyboard number pad. Users are still required to enter their codes to perform commands on the ePAD, assuring that only authorized users control the system.

VIRTUALKEYPAD.COM DNS

The ePAD can be programmed to send its address to virtualkeypad.com check-in DNS. This DNS maintains the unique ePAD IP Address, so the user always has access to the ePAD using simple-to-remember URL addresses, such as jane.virtualkeypad.com.

PROGRAMMABLE WEB LINKS

Web Links are included on the ePAD main screen for the dealer to customize, whether with a company logo or website, product documentation, IP Video, local weather, or Internet thermostat. Dealers can customize the ePAD with their own information in the main screen menu. The web links can be simple text or upload any image as a shortcut or icon.

PRIVATE LABELING

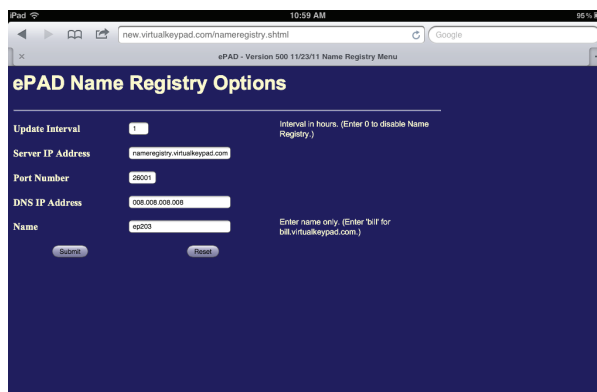
Private labeling the ePAD is a simple yet effective method of driving customers to your web site to sell additional services. Simply customize and assign a link to the "dealer" programmable hyperlink.

NO MONTHLY RECURRING COSTS

Dealers can offer customers control of their system. Although the ePAD doesn't have any additional monthly costs, it is a great source of recurring revenue for dealers.

ON-LINE USER'S GUIDE

The online user guide may be programmed to one of the custom hyperlinks. When end users click on the hyperlink, the appropriate panel user guide opens and provides them with important and helpful information about their security system.



COMPATIBILITY

XT30, XT50, XR100, XR500
Use standard web browsers.