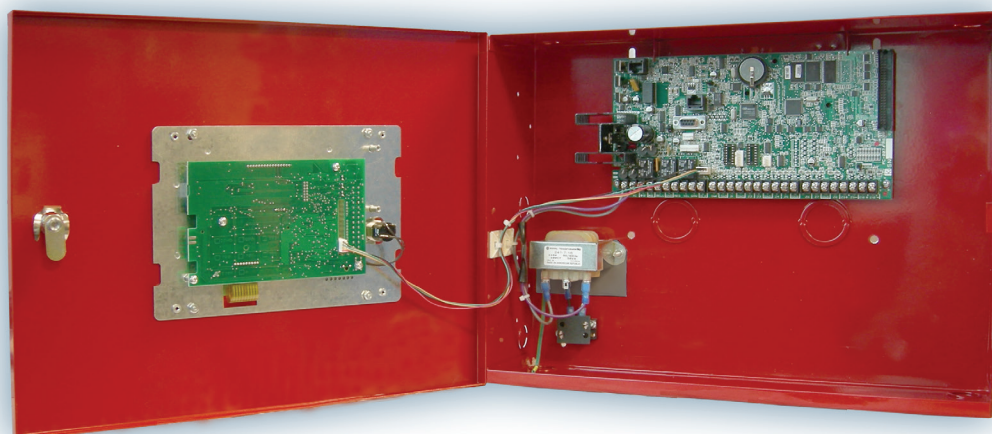




FDNY

Powerful UL Listed addressable fire system



- Proven reliability suitable for commercial and industrial installations
- Network ready option with on-board Ethernet connection
- Full range of zone expansion, communication, and relay output capability
- Flash Updateable
- XR100FC/XR500FC with network & the 463G approved as primary communication by the New York Fire Department (FDNY)

DMP XR100FC/XR500FC panels deliver true flexibility and expandability to cover all your fire needs.

XR100FC/XR500FC SERIES COMMERCIAL FIRE PANELS

SYSTEM FEATURES

- UL listed for Fire Protective Signaling UL 864 Fire Warning
- Up to 562 two-wire smoke detector or fire initiating zones
- Up to .5 Amps 12 VDC smoke and auxiliary output with OVC protection
- Up to .7 Amps 12 VDC supervised bell output
- Up to 506 fully-programmable Form C relays
- Serial 3 Digital Dialer or CID reporting to multiple receivers
- Eight communication paths between the panel and Central Station
- Built-in DB-9 RS-232 (XR500FC/XR500NFC) or LX-Bus (Selectable)
- Built-in remote or on-site feature upgrade capability
- Flash updateable: No more firmware chips to replace
- 2,000 event buffer
- Multi-lingual menus available

- Multiple on-board status LEDs
- Up to 100 output schedules to control relays and panel outputs
- 32 individual reporting areas, with common areas
- Output Groups: Maximum functionality–Minimum programming

XR100NFC/XR500NFC SYSTEM FEATURES

- All above listed System Features
- On-board Ethernet connection for Network Monitoring™
- Customizable check-in time and retry time
- Suitable for multi-site applications where the Internet or LAN/WAN is available

XR100FC/XR500FC SERIES FIRE PANELS

The XR100FC/XR500FC Series provides basic fire monitoring for any single site application. The XR100NFC/XR500NFC panels provide all the same basic fire monitoring as the XR100FC/XR500FC enhanced by the on-board Ethernet connection that allows the use of Network Monitoring™. Both panels come fully assembled from the factory with the following components:

CONTROL PANEL

The XR100FC/XR500FC Series addressable fire panel provides complete system control for local NAC operation and DACT or NET communication to the central station. The microprocessor based panel also provides input for Class A zone expansion, conventional and addressable smoke detectors, pull stations, and heat detectors.

ENCLOSURE

The enclosure is comprised of cold rolled steel in Red to distinguish it for fire operation. For added security, the enclosure comes with a lock and key.

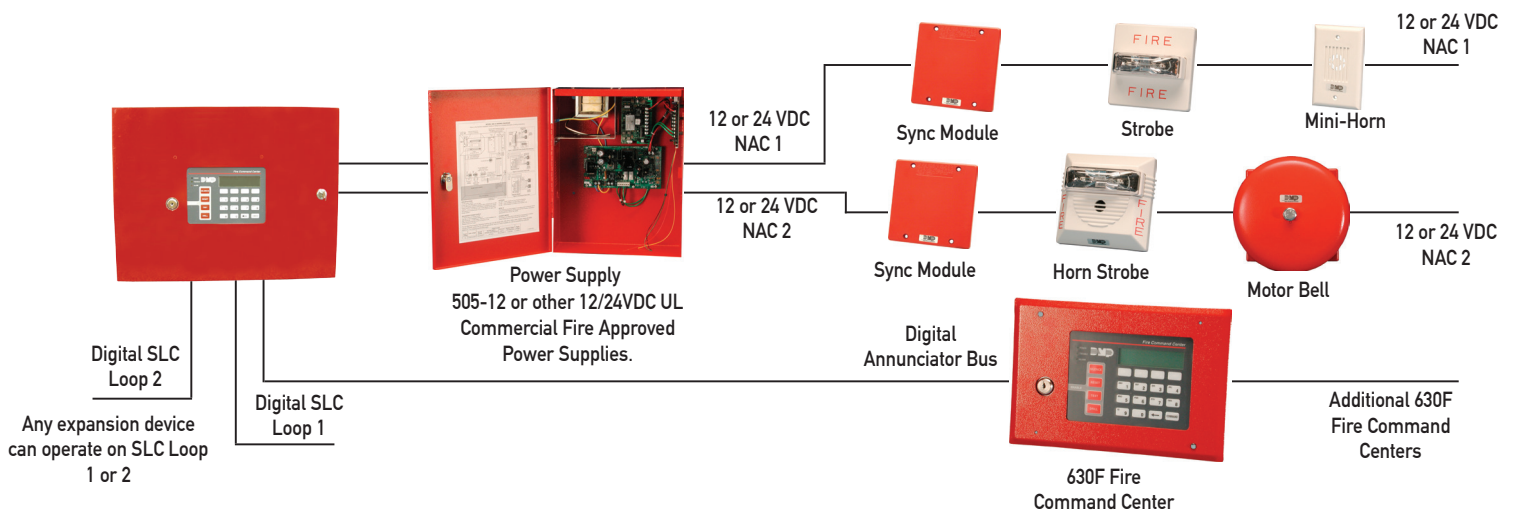
KEYPAD ANNUNCIATOR

The Fire Command Center mounted in the door offers a 32-character full text LCD readout that displays system events and menu prompts, making it efficient and easy-to-use.

TRANSFORMER AND ENCLOSURE

The 16 VAC, 56 VA wire-in transformer is factory installed and features a built-in PTC for power circuit protection.

XR100FC/XR500FC TYPICAL NOTIFICATION/ANNUNCIATION



FLEXIBLE COMMUNICATION

The XR100NFC/XR500NFC has transitioned from dialer-focused communications to a true network and cellular communications approach by providing stronger, multi-layered panel communications that ensure a constant link between the panel and Central Station. Installers have the ability to create, configure and manage up to eight communication paths.

The unique DMP Serial 3 format supports 16 or 32-character user, zone and area names to decrease the central station response time and limit dependence on automation literal tables for message conversion.

NETWORK OR CELLULAR COMMUNICATION

Built-in Ethernet Communications enhance network options and provide Standard and Encrypted Line Security. Both UDP and TCP are supported. The network option can be used as the primary or backup path to the digital dialer or cellular option.

The XR100FC/XR500FC Command Processor Panel used with the 463G Digital Cellular Communicator has earned the UL 864 listing when used as the primary path (no backup required) for commercial fire installations per NPFA 72. The check-in and fail time settings are programmed for five minutes. As the backup path, the 463G provides the security of a communication link that continues to function, even when land lines are cut or

compromised. This interface works on digital cellular GSM/GPRS data networks over a variety of carriers in the USA and Canada.

For XR100FC/XR500FC Series Fire Panels, the 463G plug-in Digital Cellular Communicator can be used as the primary path, providing installation flexibility where no land lines are available. Can be used as a stand-alone communicator without the need for a backup. Used as the backup path, the 463G provides the security of a communication link that continues to function, even when land lines are cut or compromised. This interface works on digital Cellular GSM/GPRS data networks over a variety of carriers in the USA and Canada.

EIGHT COMMUNICATION PATHS

Create, configure, and manage up to eight communication paths between the panel and Central Station. Each path has its own panel communication programming parameters, and can be identified as either primary or backup. This enables installers to configure a reliable communication link, offering greater confidence that the panel will always be connected to the Central Station.

COMMUNICATION FUNCTION DIAGNOSTICS

The enhanced diagnostic menu enables technicians to check network and cellular communication status, cell signal strength, and email status from the keypad.

FIRE ZONE PROGRAMMING

Program zones for fire, fire verify, fire retard, presignal, cross zoning, or fire supervisory. This flexibility allows the ability to match individual zone characteristics to the needs of any area in the fire installation.

ZONE EXPANSION

The FC Series provides up to 562 zones, programmable for a variety of fire applications. The system provides Class B 12 VDC powered zones, two on-board and four on the 715 Module, plus eight panel burglary zones. Up to 60 zones are available on 15 keypad addresses and up to 100 zones are available on the built-in LX-Bus™. Add up to 500 zones using Expansion Modules.

FIRE VERIFY

Used primarily for smoke detector circuits to verify the existence of an actual fire condition. When a Fire Verify zone initiates an alarm, the panel performs a Sensor Reset. If any Fire Verify zone initiates an alarm within 120 seconds after the reset, an alarm is indicated. If an alarm is initiated after another 120 seconds, the cycle is repeated.

NOTIFICATION CIRCUIT EXPANSION

Easily add NAC outputs to the XR100FC/XR500FC system. Up to three Class B modules can be mounted within the FACP. Model 865 or 866 Class B NAC Modules may be combined with a power supply to provide additional 4 Amp NAC outputs. Use an 867 on the SLC Loop to further expand NAC circuits.

FIRE DRILL AND ONE-MAN WALK TEST

Users can test fire notification bells using the Fire Drill feature. A special code is also available for installers to test the system. The one-man walk test feature allows a single technician to check the panel response to fire, burglary, panic and supervisory zones.

BUILT-IN PROGRAMMER AND DIAGNOSTICS

No programming device is required, enabling installers and service technicians to fully program the system and run diagnostics from any DMP LCD keypad. Check the electrical state of zones, find individual zone numbers, check the LX-Bus for Missing, Overlapping and/or Extra zones, and much more, all from any DMP LCD keypad.

FLASH UPDATEABLE

The XR100FC/XR500FC Series panel accepts software updates from a remote location using Remote Link™ software. When new XR100FC/XR500FC feature updates release, perform the flash update remotely.

OUTPUTS

The XR100FC/XR500FC series allows the use of two SPDT relay outputs and four open collector outputs, that may be activated by zone or system events, by schedule, through the User Menu or when a card is presented. Output Groups allow multiple outputs to activate with a single event and/or can be assigned to a particular user profile up to 500 outputs on the LX-Bus when optional output expanders are used.

OUTPUT SCHEDULES

Achieve maximum system flexibility with 100 programmable schedules that simplify planning and operations. Control any contact-activated device with schedules that automatically regulate relays and switched-ground outputs.

MULTI-LINGUAL DISPLAYS

For additional flexibility, keypads attached to the XR100FC/XR500FC Series panels can display keypad Status List and User Menu text using multiple languages. The user has the option to select the language to use.

STATUS LIST

To provide maximum system flexibility, fire zones may be programmed to display at a specific keypad. In this manner, all fire zones can be monitored in one location and other zones can be programmed to display and be monitored at different keypad locations.

2,000 EVENT MEMORY

The Display Events feature allows users to view up to 2,000 stored fire events, zone events, user code and schedule changes, and supervisory events.

REMOTE LINK

The Remote Link programming software takes advantage of the easy-to-use simplicity of Microsoft® Windows™. The XR100FC/XR500FC Series include an interface connection for installers to use to connect a laptop computer.

KEYPADS

630F LCD Remote Fire Command

EXPANSION MODULES

710 Bus Splitter/Repeater
711 Single Zone Expansion
714 4-zone Class-B Expansion
714-8 8-zone Class-B Expansion
714-16 16-zone Class-B Expansion
715 4-zone 2-wire smoke Expansion
715-8 8-zone 2-wire smoke Expansion
715-16 16-zone 2-wire smoke Expansion
716 Output Expansion,
4 Form C relays,
4 open collector outputs
717 Graphic Annunciator: 20 open
collector outputs

INTERFACE CARDS

461 Interface Adaptor Card
462N Network Interface Card
462P Printer Interface Card
463G Cellular Communicator
481 Expansion Interface Card

AUXILIARY MODULES

860 Relay Output Module
865 Style W/X Notification Circuit
Module
866 Style W Notification Circuit
Module
867 LX-Bus Notification Circuit
Module
869 Style D Class A Initiating Circuit
Module
893A Dual Phone Line Module

POWER SUPPLIES

505-12/LX 5 Amps @ 12 VDC
505-12L 5 Amps @ 12 VDC
505-12A 5 Amps @ 12 VDC

PULL STATIONS

850 Series Pull Stations

SMOKE/HEAT DETECTORS

SLR-835B Smoke/Heat
521B/BXT Conventional Smoke, CleanMe
521LX/LXT Addressable Smoke/Heat,
CleanMe


ACCESSORIES

300 Four-wire Harness
303 Silence/Reset Push-Button
305 Plug-in Output Relay
306 Tamper Harness
307-S Screw-On Tamper Switch
3012 Clip-On Tamper Switch
335 Intrusion Siren
370 Lightning Suppressor
374 Surge Voltage Suppressor
431 Output Harness
861 Power Distribution Module

CENTRAL STATION RECEIVERS

SCS-1R Network Enabled Receiver
Compatible with Central Station
Receivers that accept Standard CID,
DD, or DMP Serial 3 messaging
SCS-VR (Virtual Receiver) Software only
solution that runs on a server for network IP
and cellular communications

DMP WIRELESS

1100X Receiver 
1100XH High Power Receiver
1100R Repeater
1103 Universal Transmitter,
External Contact
1165 Commercial Smoke
Detector
1165H Commercial Smoke/Heat
Detector
1165HS Commercial Smoke/Heat
Detector with Sounder
1181 Post Indicator Valve (UL)
1182 Outside Screw and Yoke Valve
Supervisory Switch (UL)
1183-135F Heat Detector
1183-135R Heat Detector
1184 Carbon Monoxide Detector

COMPUTER SOFTWARE

Remote Link Upload/Download
Programming Software
System Link End-User Management
Software
Alarm Monitoring Module
Command Center Module
Advanced Reporting Module
Account Groups Module
Link Server Application

SYSTEM SPECIFICATIONS

Primary Power (included) 16 VAC 56 VA transformer
Secondary Power 12 VDC Battery
Models 365, 366, 367, 368 or 369
Output Rating
Bell Up to .7 Amps at 12 VDC
Smoke and Auxiliary Up to .5 Amps at 12 VDC
For UL installations, total bell, smoke, and auxiliary cannot
exceed 1.2 Amps using a 56 VA transformer.
Current Draw 180mA
Enclosure:
Material Cold-rolled steel (Red)

ORDERING INFORMATION

XR100FC-R XR100 Fire Control Panel
XR100NFC-R XR100 Fire Control Panel with
Network
XR500FC-R XR500 Fire Control Panel
XR500NFC-R XR500 Fire Control Panel with
Network

LISTINGS AND APPROVALS

Refer to the XR100FC and XR500FC Series Installation Guides (LT-1087,
LT-1088), XR100FC and XR500FC Series Programming Guides (LT-0896,
LT-0679) and specific compliance listings for installation and programming
requirements necessary to meet a particular approval.

California State Fire Marshall (CSFM)
FCC Part 15
FCC Part 68 Registration ID CCKAL00BXR500
New York City (FDNY COA #6123)
Underwriters Laboratories (UL) Listed
ANSI/UL 864 Fire Protective Signaling

For additional information, access www.dmp.com and select Compliance.

