

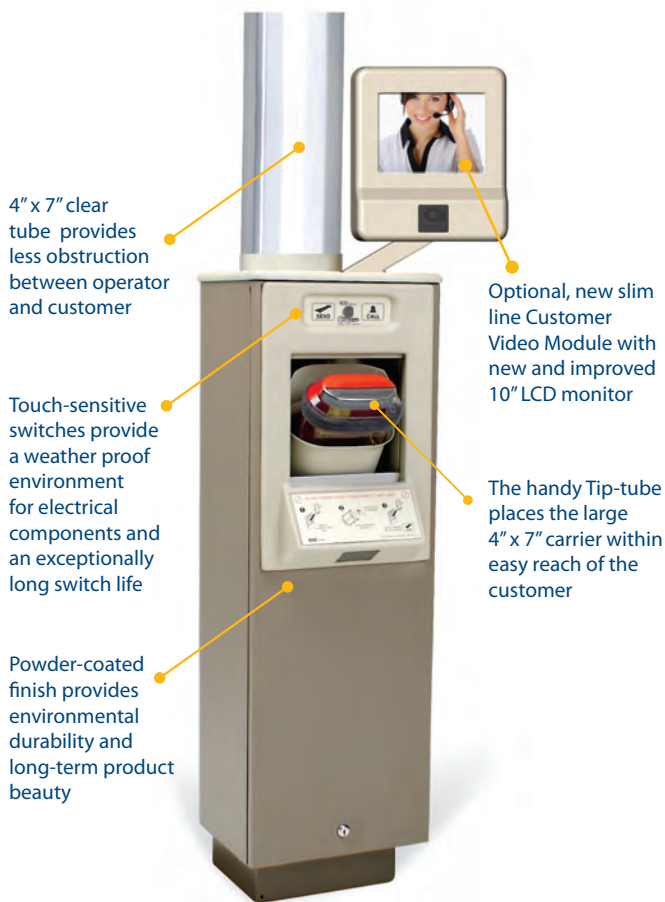


Model 900AX Drive-Thru System

ComCo offers a new and innovative system that permits the blower to be placed in the outside canopy or remote location away from the work area.



Model 900 AX Drive-Thru System



4" x 7" clear tube provides less obstruction between operator and customer

Touch-sensitive switches provide a weather proof environment for electrical components and an exceptionally long switch life

Powder-coated finish provides environmental durability and long-term product beauty

Optional, new slim line Customer Video Module with new and improved 10" LCD monitor

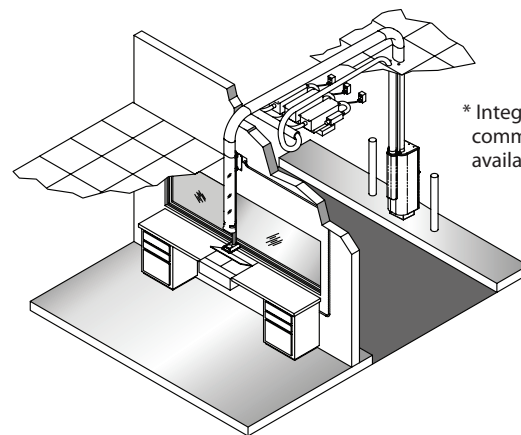
The handy Tip-tube places the large 4" x 7" carrier within easy reach of the customer

TRANSPORT COMMERCIAL OR RETAIL TRANSACTIONS WITH ONE SIMPLE, FAST AND ECONOMICAL SYSTEM.

The New Model 900AX has become another ComCo innovation in drive-thru technology. It may be installed as a major part of a pneumatic tube system using a variety of operator units including the newest 4" x 7" Open Access Chutes from ComCo.

This exciting and innovative design also permits the blower system to be located anywhere in the canopy or a remote location away from the operator station. The importance being a virtual quiet operation and should maintenance be required, service can be provided without inconvenience to company personnel.

- **Faster air system increases productivity and customer satisfaction. The ComCo 900AX system can transport two transactions by the time a slow, mechanical conveyor can transport one.**
- **Easy to operate with touch sensitive "CALL" And "SEND" switches for weatherproof environment.**
- **The ComCo 900AX modular design enables easy maintenance and service if ever needed.**
- **A unique patented blower design makes it possible to power remote locations up to 500 feet away.**
- **Optional, New slim line Customer Video Module with new and improved 10" LCD monitor.**



* Integrated audio and video communication systems available with all packages.



Integrated Solutions is ComCo's exclusive series of modular products that seamlessly integrate into a highly-productive backroom teller center.

Model 900AX

Drive-Thru System

Integration At Work...

The 900AX system combines versatility and function. By using a removable carrier, the Model 900AX system has a faster speed of operation than some retail units that use a stationary carrier and track system.

The 900AX modular design is easier to use than most of today's drive-thru systems. The ComCo system is designed in such a way that it angles the carrier out toward the customer therefore eliminating the long reach required by most systems that present the carriers vertically.

Model 900AX Customer Unit

- Faster air system increases productivity and customer satisfaction. The ComCo 900AX system can transport two transactions by the time a slow, mechanical conveyor can transport one.
- Easier to operate with touch sensitive "CALL" and "SEND" switches for a weatherproof environment.
- The ComCo 900AX's modular design enables easy maintenance and service, if ever needed.
- A unique patented blower design makes it possible to power remote locations up to 500 feet away.
- The 900 system is SUPER quiet since the blower is generally located in the canopy away from the customer or operator units.



Unique Carrier Design

Our research shows that most commercial transactions average less than one pound yet they are too bulky to fit into a small 4" or 4 1/2" retail carrier. The unique ComCo 4" x 7" carrier design allows for easy insert and retrieval of bulky transaction by customers and operators. The carrier is light weight, fully accessible and easier to use than the smaller retail carriers and can hold 3 times the load. They are constructed in such a way that it provides a handy flat writing surface for customer use.



Model 900 Teller Unit

- The Model 900 Pharmacy Operator unit requires no counter space. The unit was designed to be suspended from the ceiling – clear of the counter top.
- Heavy, clear acrylic door gives visual indication of carrier arrival.
- Heavy duty, chrome plated latch assures complete sealing of the pneumatic tube system.
- Indicator light inside unit glows when the doors on the Customer unit and the Operator unit are closed.



Optional Customer Video Module
with High Contrast
10" LCD Monitor.



STC4700
Single Sided 4" x 7"
Operator Chute designed
for open access at the
Operator Station.



CCS-1561
Optional Audio/
Video Station for 1
to 16 lanes provides
exceptionally clear
audio and video with
a high contrast 6.4"
color LCD Monitor.

INNOVATION AT WORK.