



Model 523 Downsend Remote Drive-Thru System

ComCo's New 523 downsend system provides a versatile drive-thru that works with ALL leading 4 1/2" installations.



Model 523 Remote Drive-Thru System



Optional "Crown" Customer Video Module with high contrast 10" LCD Monitor

Touch-sensitive switches eliminate moisture conditions and provide exceptionally long switch life

The innovative audio design filters background noises enhancing only voice frequencies

Powder-coated finish provides environmental durability and long-term product beauty

TRANSPORT 4 1/2" RETAIL TRANSACTIONS WITH ONE SIMPLE, FAST AND ECONOMICAL SYSTEM

ComCo Systems is leading the industry with the development of the all NEW 523 drive-thru system. The system has been developed as a major part of the innovative and flexible 500 Series. It may be installed as a part of the pneumatic tube system to deliver a 4 1/2" carrier to our NEWEST "Under Counter" operator unit from ComCo.

The exciting NEW 523 design introduces a brand new system of "downsend" equipment that can be retrofitted to work with ALL leading 4 1/2" downsend systems.

This new and innovative design also permits the blower to be located away from the operator station. The importance being a virtual quiet operation and should maintenance ever be required, service can be provided without inconvenience to company personnel.

- Small footprint – Only 10.5 wide x 9.375 deep.
- Easy to operate with touch sensitive "CALL" And "SEND" switches for weatherproof environment.
- 4" downsend available.
- Optional, New slim line Customer Video Module with new and improved 10" LCD monitor.
- Customer Video Module does not require additional island space for a separate unit.
- Ease of maintenance – Minimal maintenance at the Operator Station.
- There are no electrical service requirements at the Operator location, only a low-voltage line supplied by the installer.
- Less construction cost – Re-uses existing 4 1/2" underground tubing if available.

* Integrated audio and video Communication systems available with all packages.



Integrated Solutions is ComCo's exclusive series of modular products that seamlessly integrate into a highly-productive backroom teller center.

*Equipment design subject to change without notice.

INNOVATION AT WORK.

Model 523 Remote Drive-Thru System

Integration At Work...

Once again, ComCo Systems leads the way with the newest innovation in down send equipment.

The all NEW Model 523 System has been developed as a part of the innovative and flexible 500 Series becoming an improved "downsend" transfer system that makes transactions easy, fast and efficient.

The NEW 523 utilizes only a small portion of the island space and therefore provides a much clearer vision from the Operator to the customer. The small footprint customer unit can easily be retrofitted to work with ALL leading 4 1/2" systems and can be configured to work with any of SIX different operator units.

NEW Model 523 4 1/2" Operator Unit

At last there are small, undercounter operator units that are both functional and unobtrusive.

- Small footprint – Narrow 6.5" wide x 38.5" high operator unit uses less space.
- Easy-opening clear sliding door – metal door optional.
- There are no electrical requirements at the operator location, only a low-voltage line supplied by the installer.
- Simplified "Recall & Send" touch-sensitive switches provide an exceptionally long switch life.



CCS 1561

Optional Audio/Video module that provides exceptionally clear audio and video with a high contrast 6.4" color LCD Monitor.



Compatible With A Variety of Operator Units

Type "523"

Under counter, underground, Up-receive. This system is manufactured in 4" and 4 1/2" tube size and comes in an attractive black powder coat finish.

Type "O"

Under counter, underground, Up-receive. This system is manufactured in 4 1/2" tube size and comes in an attractive black powder coat finish.

Type "LS1000" Lift Station

Under counter, underground, Up-receive. This system with Lift Stations is available in 4 1/2" tube size only and is manufactured in a very attractive counter top package.

Type "521"

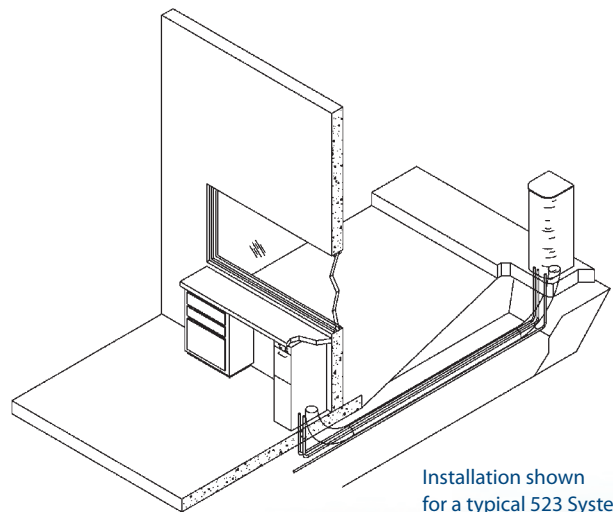
Over counter, overhead with a modern design of modular plastic. The system is available in 4 1/2" tube size only and is manufactured in an attractive beige color.

Type "3"

Under counter, underground, Up-receive. This system is manufactured in 4 1/2" tube size and comes in an attractive black powder coat finish.

Type "STC4500" Single Side Chute

Over counter, overhead with an attractive open chute design that delivers carriers with speed, convenience and full access to the carrier from all sides. This system is manufactured in 4 1/2" tube size only.



*Equipment design subject to change without notice.

INNOVATION AT WORK.