



## Model 522 Remote Drive-Thru System

ComCo's 522 drive-thru system for faster and easier customer transactions.



### Model 522 Doorless Chute Drive-Thru System

4 1/2" clear tubing provides less obstruction between operator and customer

Optional Customer Video Module with high contrast 10" LCD Monitor

Upper and lower touch sensitive switches provide a weatherproof environment for electrical components and an exceptionally long switch life.

Powder coated finish provides environmental durability and long-term product beauty



### NEW DOORLESS CHUTES IMPROVE OPERATOR ACCESS, CONVENIENCE AND TRANSACTION SPEED.

The new 522 Customer Unit delivers the carrier to an "open chamber" (chute). This has become another ComCo innovation in drive-thru technology. With this patented ComCo design, open chutes are used instead of the larger units that blocked so much of the Operator's drive-thru view. The open chamber chutes are designed with a minimum of view obstructing material along with clear 4 1/2" tubing allowing for almost no visual obstruction between the Operator and their customers.

This new and innovative design also permits the blower to be located in the canopy or remote location. The system offers quiet operation and should maintenance ever be required, most service can be provided without staff inconvenience.

- **Complete integration** - allows integration with other ComCo drive-thru and back room operation center systems.
- **Faster transaction time.**
- **Quieter operation** - operator and drive-thru areas have no blower noise.
- **Higher reliability** - components with proven product performance.
- **Upper and lower touch-sensitive switches** for a weatherproof environment.
- **Ease of maintenance** - no maintenance at the operator station.
- **Optional, new slimline customer video module** with new and improved 10" LCD monitor.

\* Integrated audio and video communication systems available with all packages.



Integrated Solutions is ComCo's exclusive series of modular products that seamlessly integrate into a highly-productive backroom teller center.

\*Equipment design subject to change without notice.

**INNOVATION AT WORK.**

ComCo Systems, Inc., a Division of Communication Conveyor Corp.  
306 W. Overly Drive, Lake Dallas, Texas 75065 • Phone: 800-533-3794 • Fax: 940-498-9937 • [www.comcosystems.com](http://www.comcosystems.com)

© Copyright ComCo Systems, Inc. 2010

# Model 522

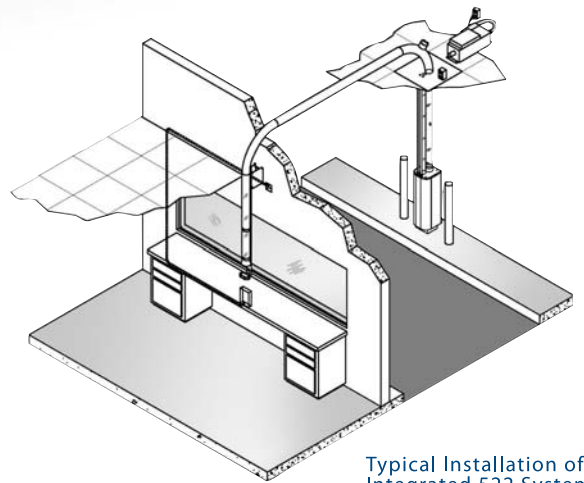
## Remote Drive-Thru System

### Integration At Work...

As a result of an effort to further improve our total integrated system of products, the new 522 drive-thru system has been developed to deliver a carrier to our "doorless" terminal designs.

With this product we can provide complete operator center integration compatible with our Lobby Teller System and all other ComCo upsend 4 1/2" systems.

The new 522 system permits the blower to be installed outside in the canopy or in a remote location. It no longer needs to be installed near the drive-thru operator unit. This innovation does two things. First, it provides a quiet environment for the operator. Secondly should maintenance ever be required, most service can be provided without staff inconvenience.



Typical Installation of Integrated 522 System

### Model 522 Customer Unit Without CVM Module

4 1/2" clear tubing provides less obstruction between operator and customer

Upper and lower touch sensitive switches provide a weatherproof environment for electrical components and an exceptionally long switch life.

Powder coated finish provides environmental durability and long-term product beauty



### Integrated Communication Solutions

#### Customer Video Module

Optional new slim line Customer Video Module with new and improved 10" LCD Monitor.



#### CCS-1561

Optional Audio/Video Station for 1 to 16 lanes provides exceptionally clear audio and video with a high contrast 6.4" color LCD Monitor.



### Integrated Delivery Solutions



ComCo's Model STC 4500 Single-Sided 4 1/2" Chute



ComCo's Model DSC 1000 Dual-Sided 4 1/2" Chute



ComCo's manual or automatic 521 4 1/2" Operator Unit



ComCo's 521" dual-side 4 1/2" Operator Unit

**INNOVATION AT WORK.**

\*Equipment design subject to change without notice.