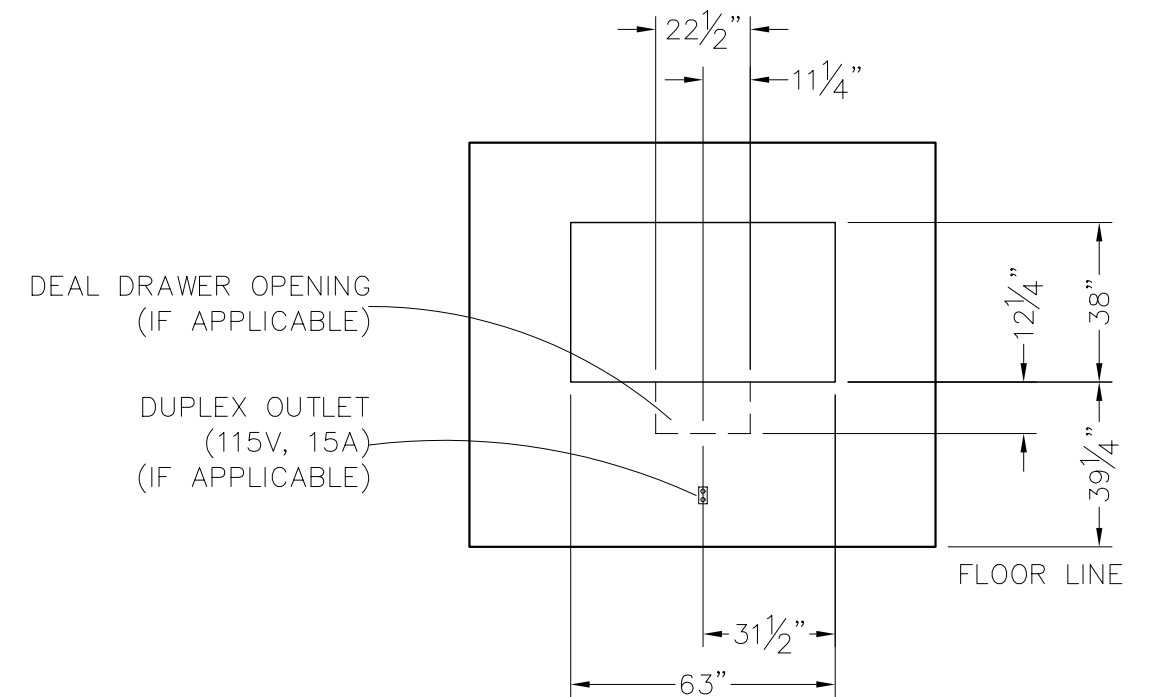
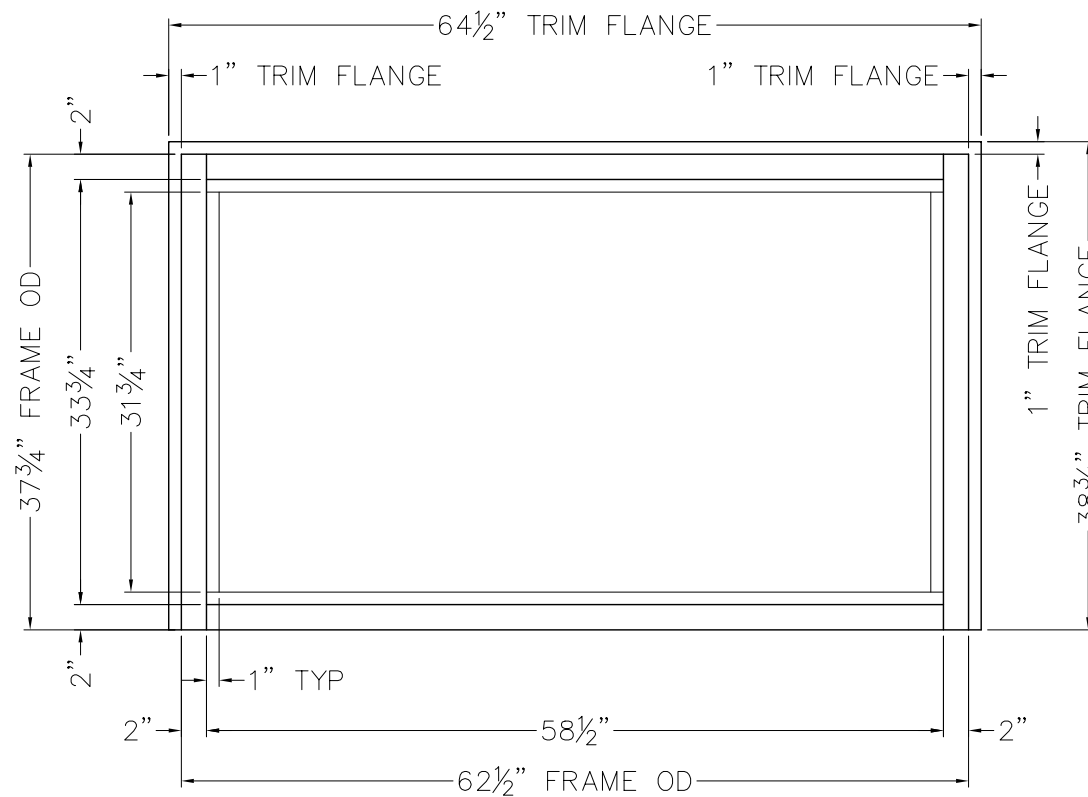
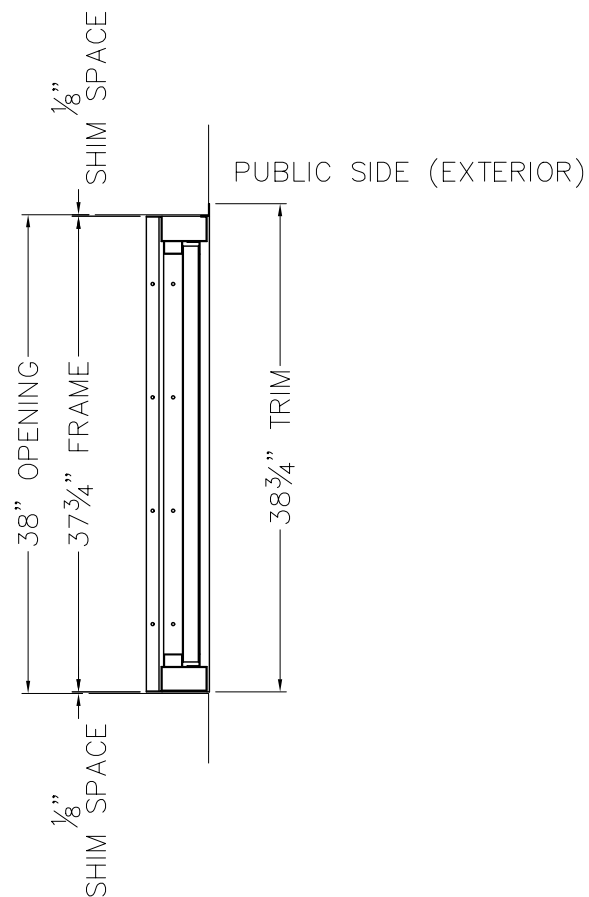
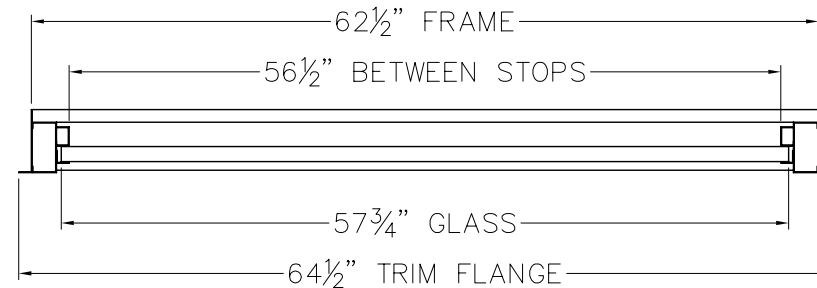


HORIZONTAL SECTION THRU VERTICAL FRAME



FINISHED OPENING (INTERIOR ELEVATION)



EXTERIOR ELEVATION (FRAME ONLY)

NOTES:

1. UL LISTED LEVEL 1, CLEAR, 1-3/16" LAMINATED BULLET RESISTANT GLASS.
2. WELDED, BRUSHED STAINLESS STEEL FRAME WITH EXTERIOR TRIM FLANGE ON TOP & SIDES, ANCHOR FLANGE ON INTERIOR.
3. REFER TO DRAWING #20174 FOR ADDITIONAL DETAILS.

DO NOT SCALE



PRODUCT APPLICATION DRAWING
 VISION WINDOW, LEVEL 1 BULLET RESISTANT
 MODEL 330-5

SIZE	DWG NO	DATE	SHEET
B	20039	01.01.2012	1 OF 1