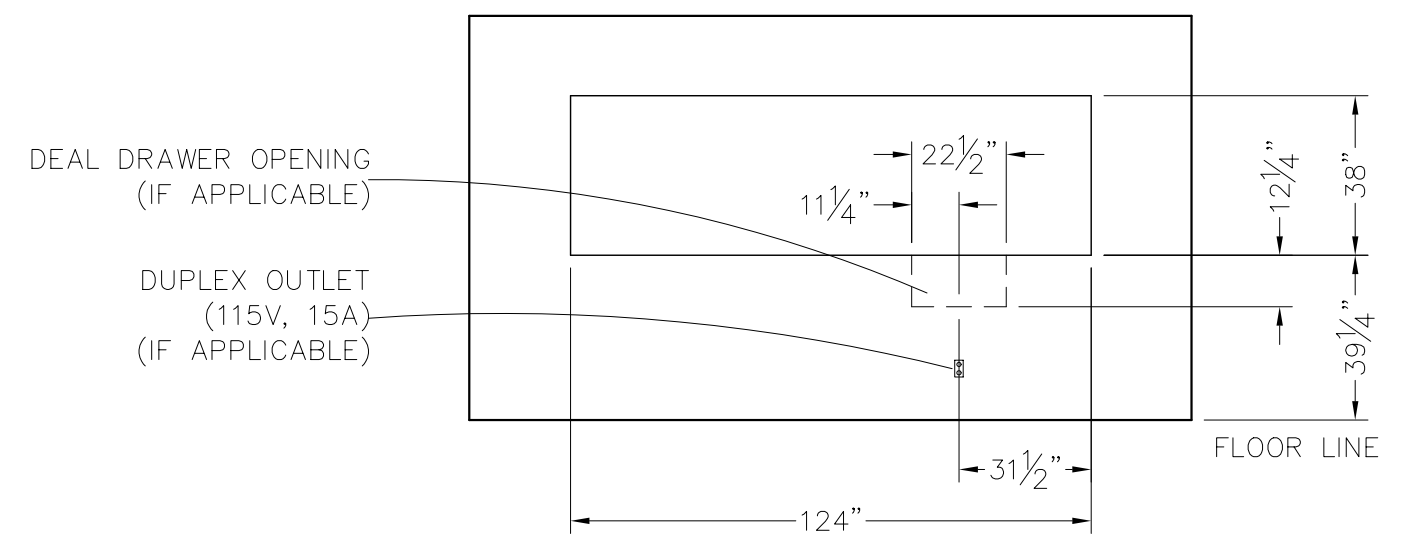
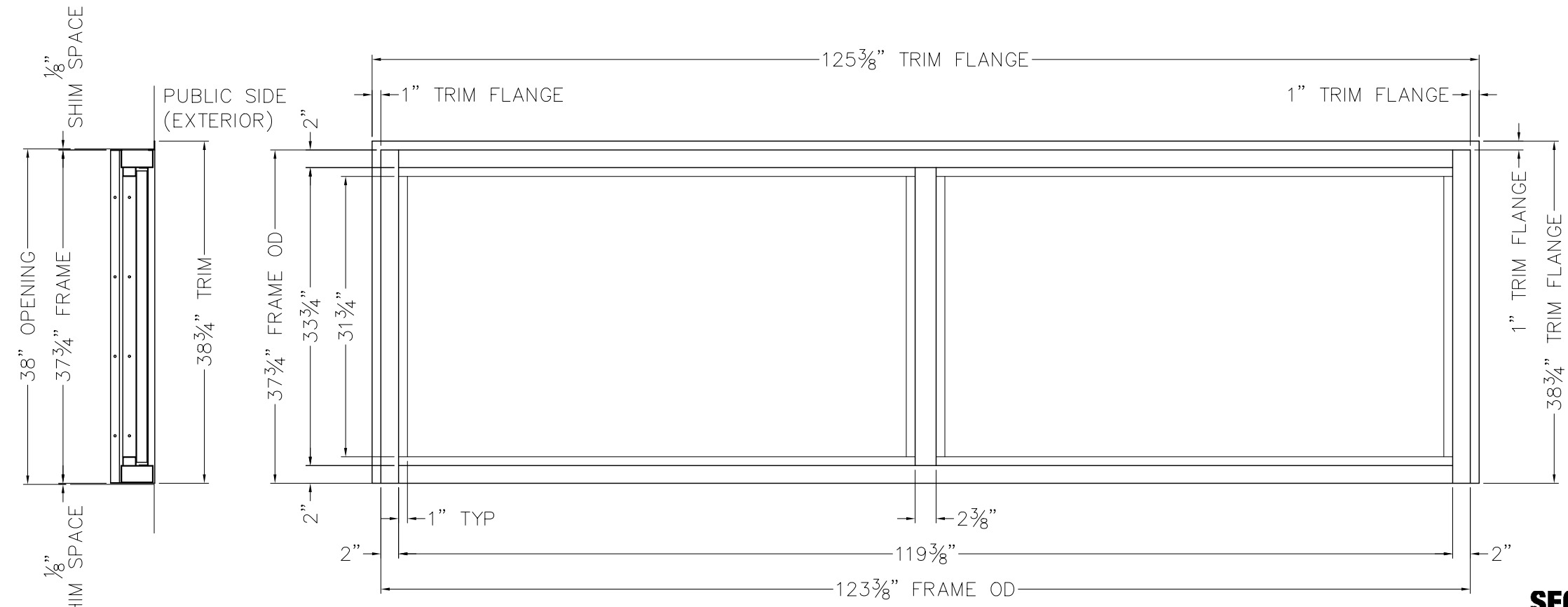
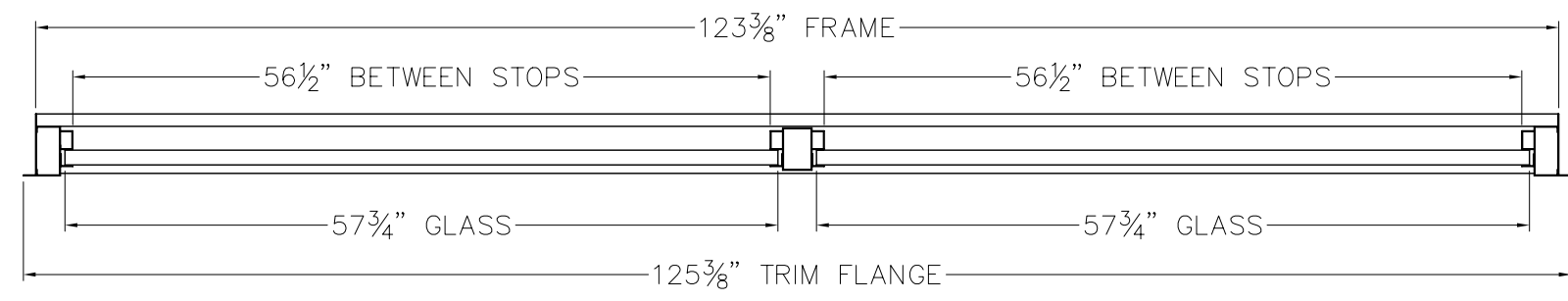


HORIZONTAL SECTION THRU FRAME



FINISHED OPENING (INTERIOR ELEVATION)



EXTERIOR ELEVATION (FRAME ONLY)

- NOTES:
1. UL LISTED LEVEL 1, CLEAR, 1-³/₁₆" LAMINATED BULLET RESISTANT GLASS.
 2. WELDED, BRUSHED STAINLESS STEEL FRAME WITH EXTERIOR TRIM FLANGE ON TOP & SIDES, ANCHOR FLANGE ON INTERIOR.
 3. REFER TO DRAWING #20174 FOR ADDITIONAL DETAILS.

DO NOT SCALE



American Vault[®].us

PRODUCT APPLICATION DRAWING
VISION WINDOW, LEVEL 1 BULLET RESISTANT
MODEL 330-10

SIZE	DWG NO	DATE	SHEET
B	20041	01.01.2012	1 OF 1