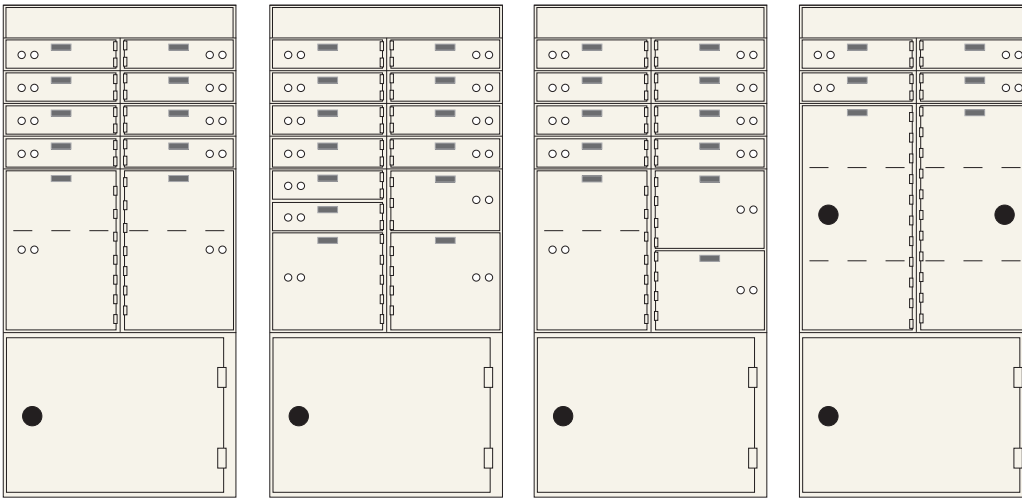


**BRIDGEMAN**

**ER SERIES  
TL-15 MULE**



# ER Series TL-15 Mule



ER-7435M  
(2) AXL-4-10  
(1) AXL-2-22

ER-7435M  
(2) AXL-4-10  
(1) AXL-3-10  
(1) TLX-2

ER-7435M  
(2) AXL-4-10  
(1) AXL-3-22

ER-7435M  
(1) AXL-4-10  
(1) AXL-2-33

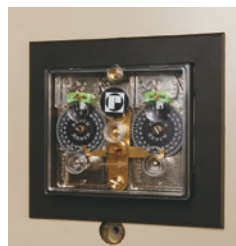
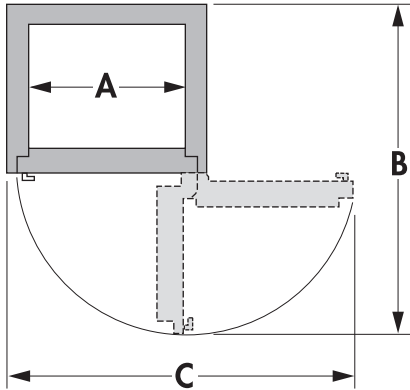
## Dimensions and Weights

Model	Exterior Dimensions (in)	Interior Dimensions (in)	Weight (lbs)
ER-7435M	74 x 35 x 36	48 x 34 x 19 (above receiving chest)	2,900 (empty) 3,860 (incl ND head and housing)

## Door Swing Dimensions

Model	Dimensions (in)		
	A	B	C
ER-7435M	34	71	69

## Door Swing Projections



# Bridgeman ER Series TL-15 Mule

## Advanced design, rugged construction, improved security

Bridgeman Security is proud to present a new generation of Underwriters Laboratories listed TL-15 burglary resistive safes. This sophisticated safe has many advanced design features not found on other safes in this class, and offers excellent protection against a concentrated burglary attack.

Included is U.L. listed Model 305 Night Depository, 1/2 inch high tensile shroud, bottom depository locker with KLD combination lock.

All chests are equipped with a U.L. listed Group 2M, key change combination lock. The combination dial and ring are finished in satin nickel, and are furnished in a key locking dial configuration for dual control. A two movement time lock, alarm package, and various electronic locks are available as an option.

All safes are designed with adjustable hinges, that not only offer adjustable hinge pins, but the hinge block on the door is bolted, not welded, offering endless adjustment on the door.

The safes are designed to allow for multiple interior options to provide a "custom interior" simply by mixing and matching with the Bridgeman AXL Lockers Series. All components are part of our "In-stock" Quickship Program.

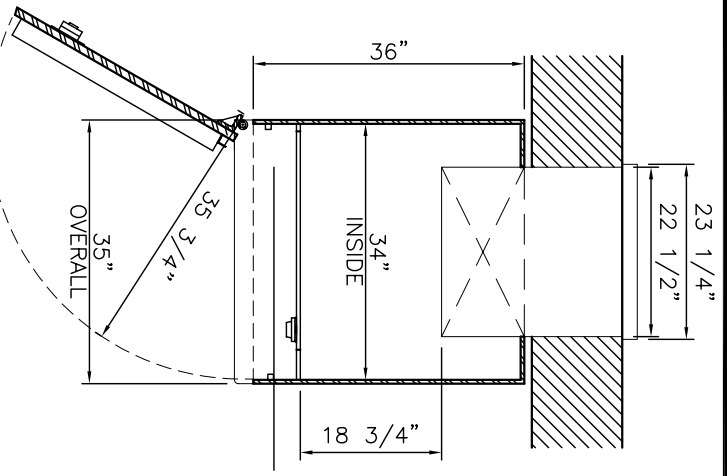
Some example configurations are shown above.

All specifications are approximate and subject to change without notice.

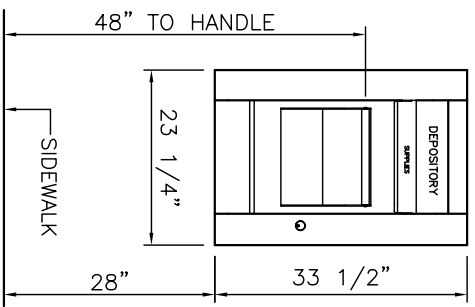
©2006 Bridgeman Security Equipment.

**BRIDGEMAN**  
Bridgeman Security Equipment

510 West Washington Blvd.  
Montebello, CA 90640  
(323) 724-5880 Telephone  
(800) 334-6060 Toll Free  
(323) 727-0236 Fax  
e-mail: [bridgeman@socalsafe.com](mailto:bridgeman@socalsafe.com)

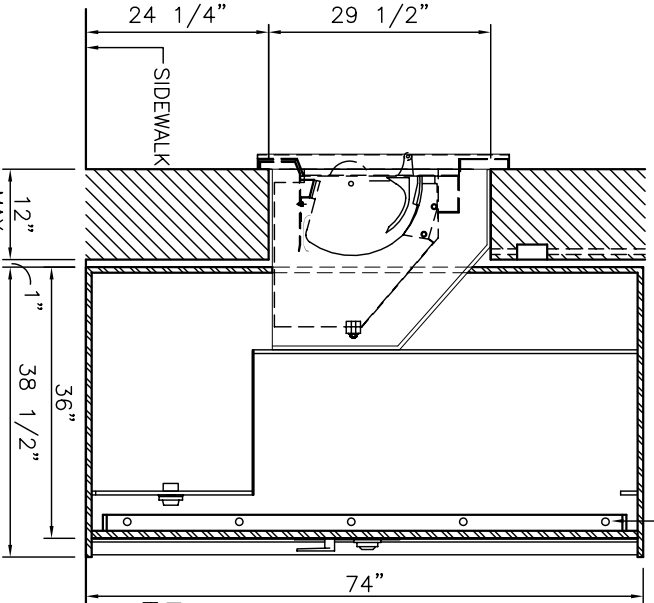


**HORIZONTAL SECTION**



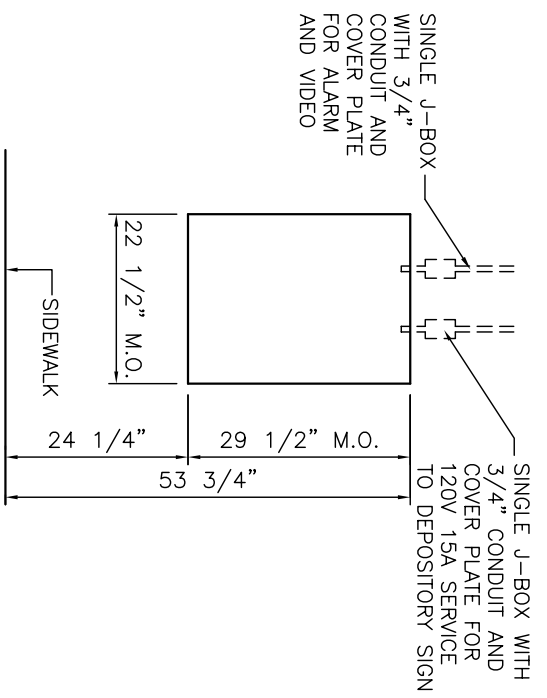
**NOTE:**

1. APPROXIMATE WEIGHT (CHEST ONLY) 2,980 LBS.
2. FINISH BEIGE.
3. LEFT SWING SHOWN, RIGHT WING OPPOSITE.
4. NON-GROUT OUTER HOUSING IS TO BE WELDED TO RECEIVING CHEST AND SHOULD NOT BE ENCASED IN CONCRETE.
5. INTERIOR WALL OPENING AROUND OUTER HOUSING IS TO BE FILLED (BY OTHERS) USING APPROPRIATE MATERIALS.
6. SET-UP TO RECEIVE LOCKERS (18" DEEP) REFERENCE LOCKER SPECIFICATIONS, AXL.

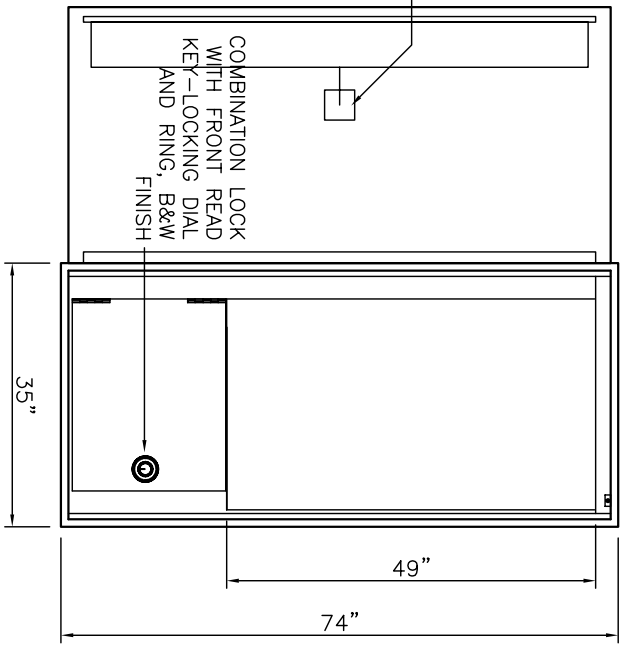


**DEPOSITORY ASSEMBLY VERTICAL SECTION**

PREPARED FOR  
OPTIONAL TWO  
(2) MOVEMENT  
TIME LOCK



**WALL OPENING EXTERIOR ELEVATION**



**INTERIOR ELEVATION (DOOR OPEN)**

FINISH: BEIGE		DOOR: LEFT		DRAWING NAME: TL-15 Mule	
DRAWN BY: CWP		APPROVED BY: Montebello, CA		DRAWING NUMBER: Bridgeman TL-15 Mule	
PROJECT NAME:		PREPARED FOR:		SHEET: 1 OF 1	
BRIDGEMAN SECURITY EQUIPMENT		SECURITY EQUIPMENT			

**EXTERIOR ELEVATION**